

E-200 Hydrogen Fuel Cell for Railroad Applications



Applications:

- Crossings
- Wayside Signaling
- Defect Detectors
- Slide Fence Locations
- Yard Applications
- Solar-hybrid powered switches, signals and control points
- Communications for base stations and AEI sites

Features

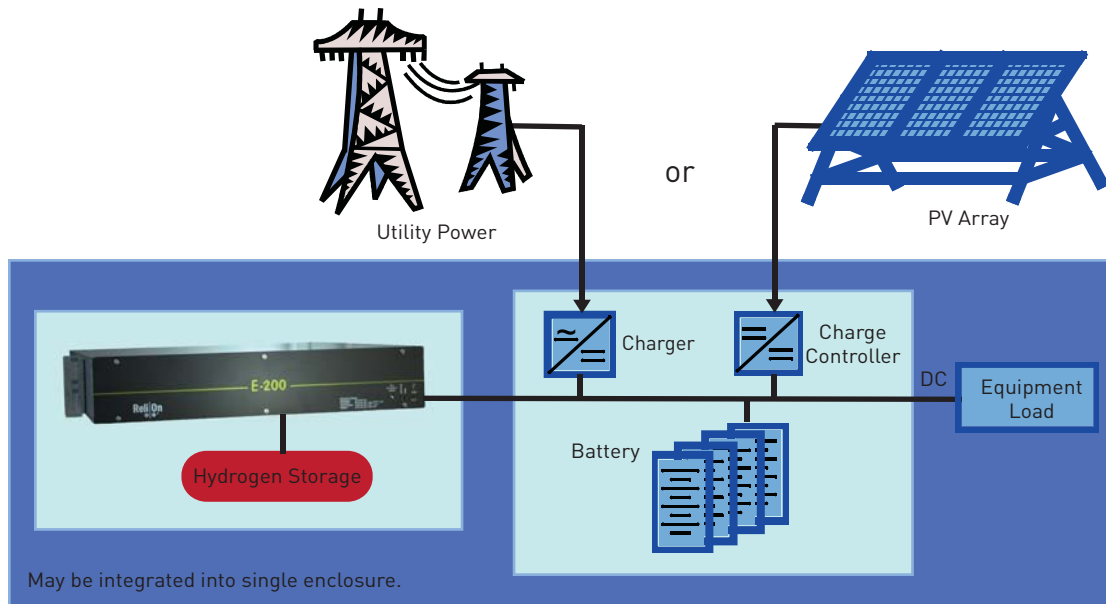
- Up to 175W DC power
- 2U, rack-mount chassis
- Remote monitoring
- Low maintenance
- Quiet operation
- Clean - CARB exempt
- Affordable extended runtime up to 1,000 run hours / 6 weeks between refuelings at rated power



ReliOn
+ | -

A New Era in Critical Backup Power

Functional Diagram



Product Specifications

Physical	Dimensions (w x d x h)	17.25" x 18.5" x 3.38" / 43.8 cm x 47 cm x 8.6 cm
	Weight	30 lbs / 13.6 kg
	Mounting	19" or 23" rack mount
Performance	Typical power	175W
	Rated current	0 to 15A @ 12V / 0 to 7.5A @ 24V / 0 to 3.7A @ 48V
	DC voltage	12 / 24 / 48 V nominal
Fuel	Composition	Standard industrial grade hydrogen (99.95%)
	Supply pressure to unit	3.5 to 6 psig / 24 to 41 KPag / 0.24 bar to 0.41 bar
	Consumption	3 slpm @ 175W
	Hydrogen Storage Capacity	n/a (modular storage solutions available from 2.5kWh to 200kWh)
Operation	Ambient temperature	35°F to 122°F / 2°C to 50°C Optional -40°C to 50°C in hardened outdoor cabinet
	Relative humidity	0-95% non-condensing
	Altitude	-197 ft to 13,800 ft / -60m to 4,206m
	Location	Indoors
	Safety	Compliance
Emissions	Water	Max 6mL / 175Whr
	Noise	53dBA @ 3.23 ft / 1m
Monitoring / Control	Remote	System configuration & status / Historical & operational data
	Communications	USB / Dry contact



© 2010 ReliOn, Inc.
All rights reserved.
Protected by U.S. Patent
Nos. 6,030,718; 6,096,449;
6,218,035; 6,387,556;
6,468,682; 6,773,839 and
others. Product
specifications are subject
to change at any time.

ARMS Inc
Automated Railroad Maintenance Systems

84 Hubble Drive, Suite 500
O'Fallon, MO 63368
Toll Free (U.S.): 1-866-211-1754
Fax: 1-636-532-1482
info@armspower.com

Contact Us

15913 E. Euclid Ave.
Spokane, WA 99216
Tel: 1-509-228-6500
Toll Free (U.S.): 1-877-474-1993
Fax: 1-509-228-6510
www.relion-inc.com

